

MAKING TWEET MONKEY

BY CODEFOSTER

Who am I?

codefoster

codefoster.com || [@codefoster](https://twitter.com/codefoster) || github.com/codefoster || upverter.com/codefoster

jeremy.foster@microsoft.com

206-250-7637

278-21-8879

MIIEpAIBAAKCAQEAw9j5vbZINPNPffzsVHJta9rsxgy/5dSUi8BVYde
Qu5vtLOO+60FX8AVXuy7luZN7amRlVa9B1DR1t98I1DSAbgCNbm
17+OTGBnlgbVISbkEH5PJR7qnKb+Z6nmTP1JOB0tMf0a/DdVJKbq
plksOCsZ8AxG+z5h+psA7NhKgZ9dh/V6B5

And here are the 4 simple steps...

Follow along at github.com/codefoster/tweetmonkey

Step 1: Buy Stuff

Step 2: Modify the Monkey

Step 3: Complete the Circuit

Step 4: Prep Your Raspberry Pi

Step 5: Sign Up to Use the Twitter API

Step 6: Write the Code

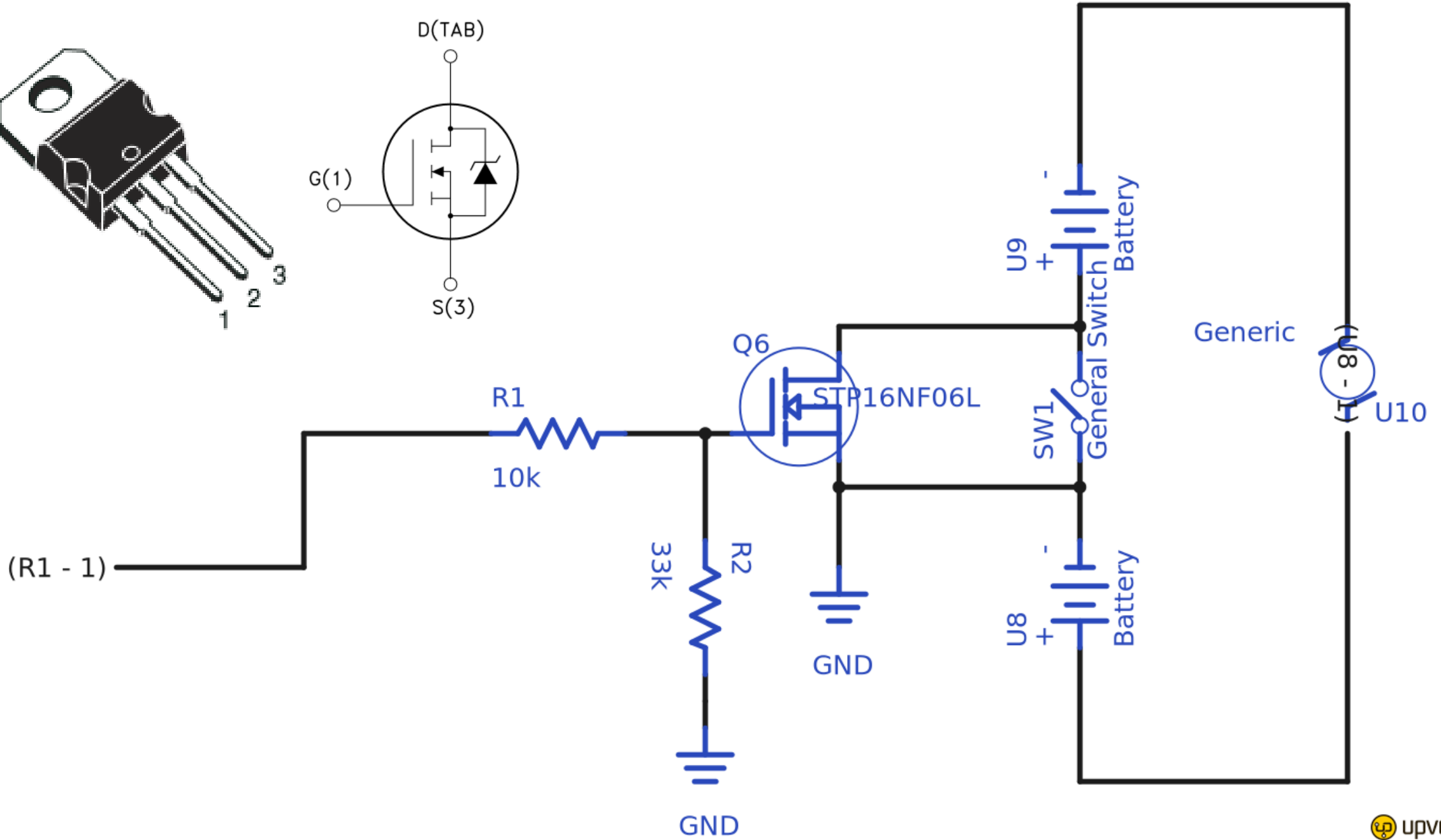
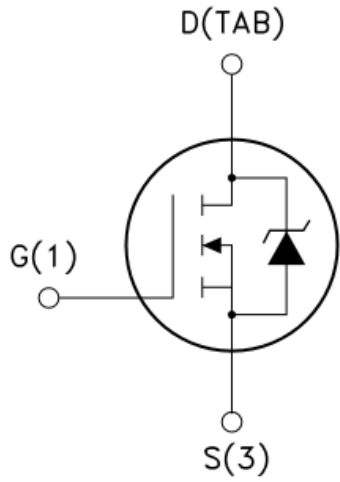
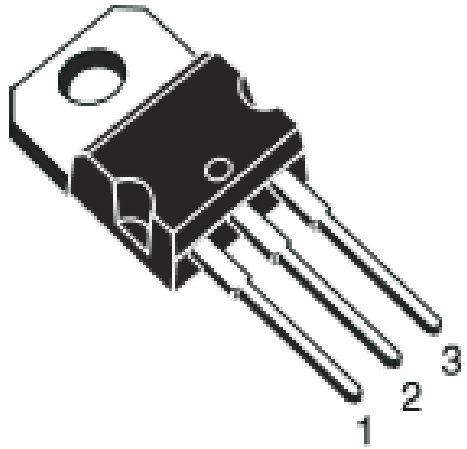
Step 7: Deploy and Run the Program

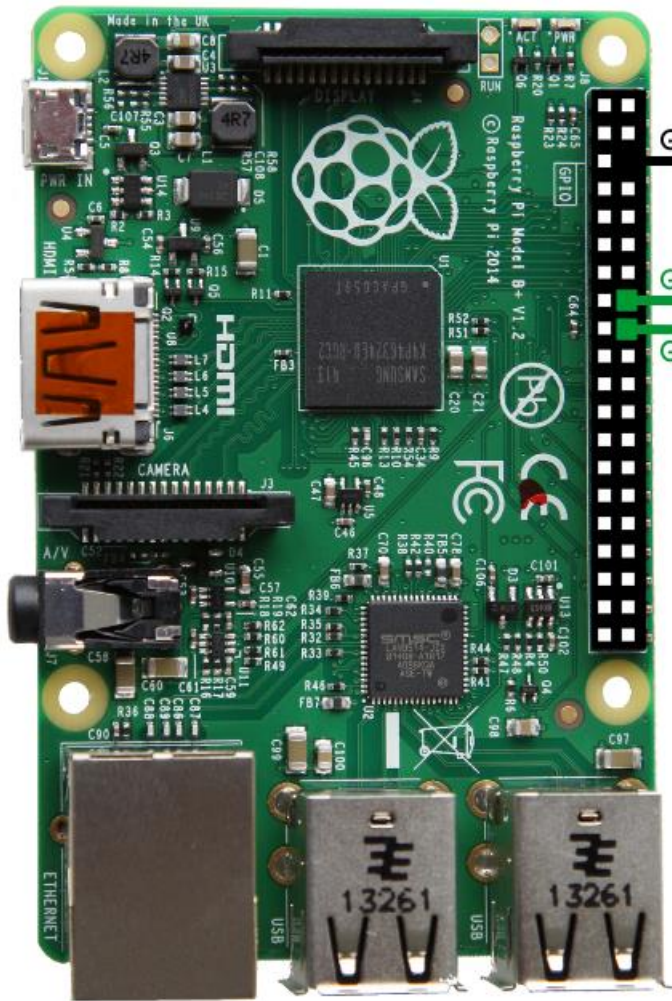
Step 1: Buy Stuff

Step 2: Modify the Monkey

Step 3: Complete the Circuit

Step 4: Prep Your Raspberry Pi

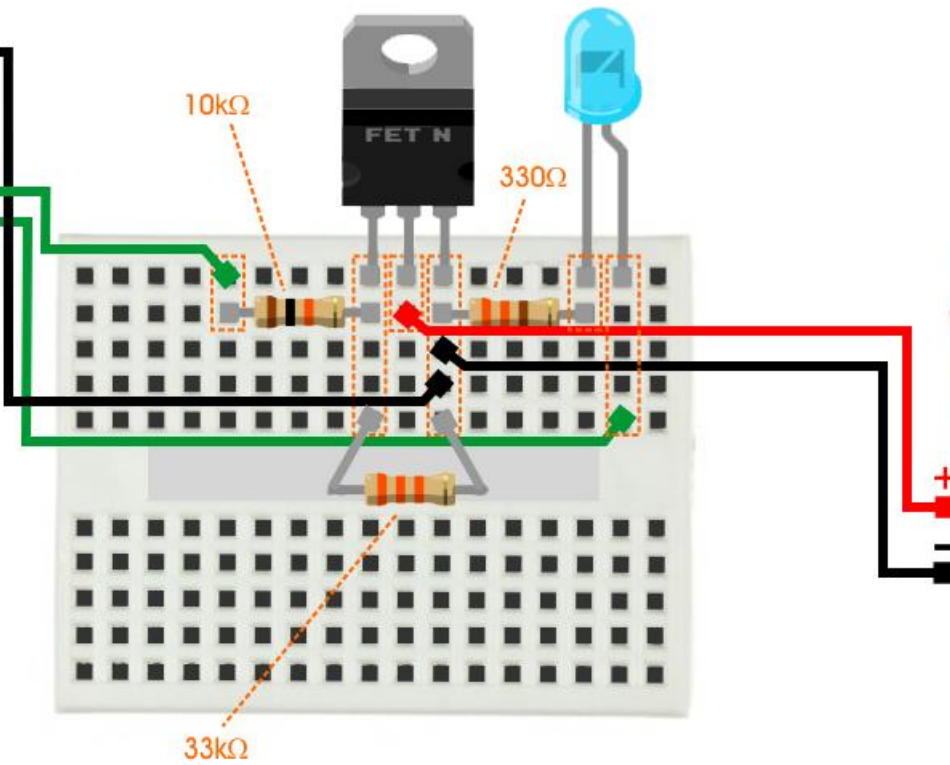




GND

GPIO23 (monkey)

GPIO24 (light)



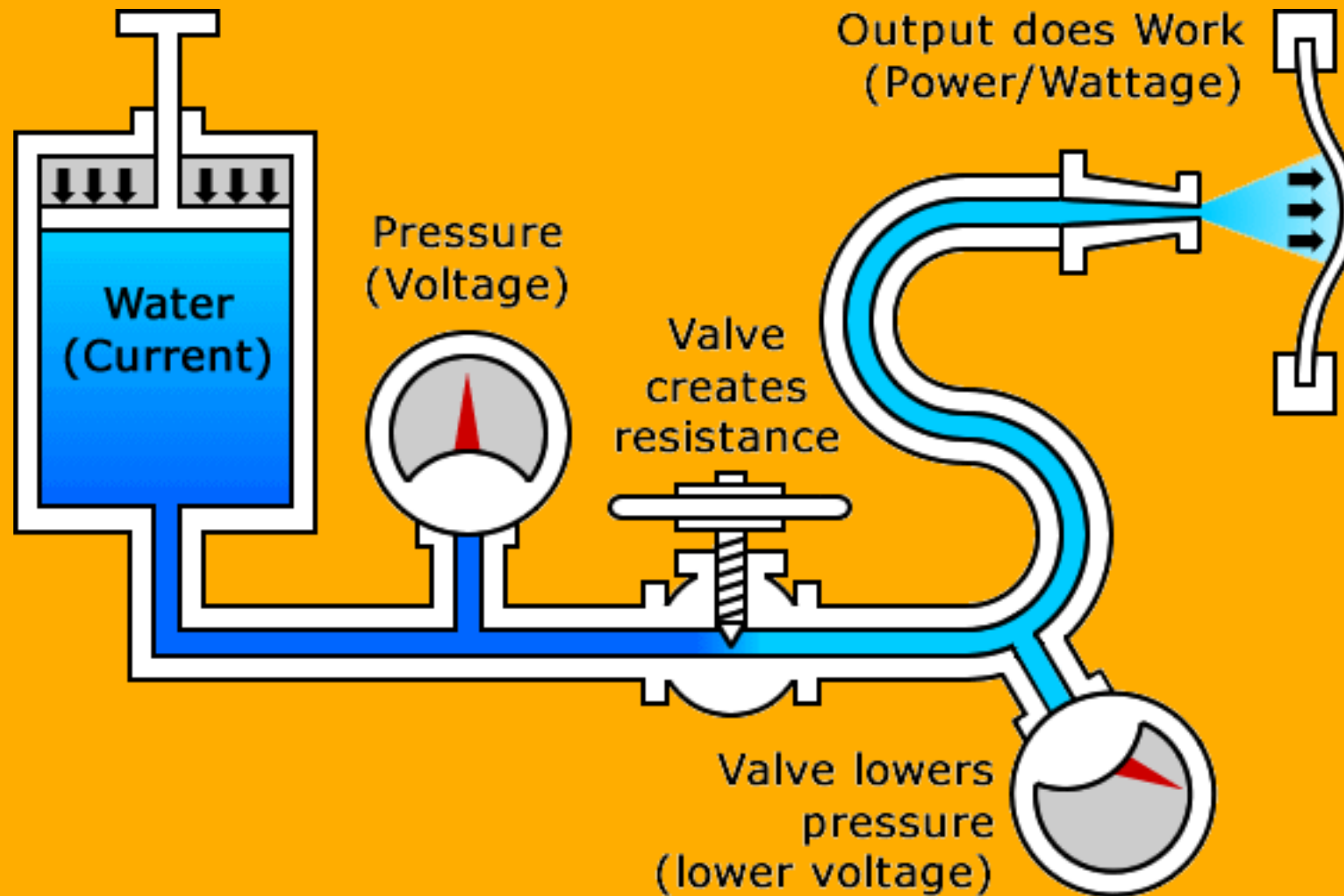
Step 5: Sign Up to Use the Twitter API

Step 6: Write the Code

Step 7: Deploy and Run the Program

QUESTIONS?

Bonus Topic: Understanding Electronics with Water



Bonus Topic: BJT vs. MOSFET

