

SW360antenna

<https://github.com/eclipse/antenna>

Maximilian Huber,
Open Source Summit, 2018-10-24

TNG  TECHNOLOGY
CONSULTING



Licensed under CC-BY-4.0.

SW360antenna

- SW360antenna was started and is developed by Bosch Software Innovations GmbH
- It is Open Source as an Eclipse Project Incubator since September 2018
- It is licensed under EPL-2.0

SW360antenna is a tool to
automate your open source
license compliance

SW360antenna is a tool to automate your open source license compliance

- collecting all compliance relevant data
- process that data and warn if there might be any license compliance related issues
- generating a set of compliance artifacts

SW360 antenna can be tied into
the build

SW360antenna can be tied into the build

```
<?xml ...?>
<project ...>
  <modelVersion>4.0.0</modelVersion>

  <groupId>org.example</groupId>
  <artifactId>example-project</artifactId>
  <version>1.0-SNAPSHOT</version>
  <build>
    <plugins>
      <plugin>
        <groupId>org.eclipse.sw360.antenna</groupId>
        <artifactId>antenna-maven-plugin</artifactId>
        <version>2.0.1-SNAPSHOT</version>
        <configFiles>
          <param>src/antennaconf.xml</param>
        </configFiles>
        <workflowDefinitionFile>
          src/workflow.xml
        </workflowDefinitionFile>
      </configuration>
      <executions>
        <execution>
          <goals>
            <goal>analyze</goal>
          </goals>
          <phase>package</phase>
        </execution>
      </executions>
    </plugin>
  </plugins>
</build>
```

SW360 antenna is customizable
and modular

SW360antenna is customizable and modular

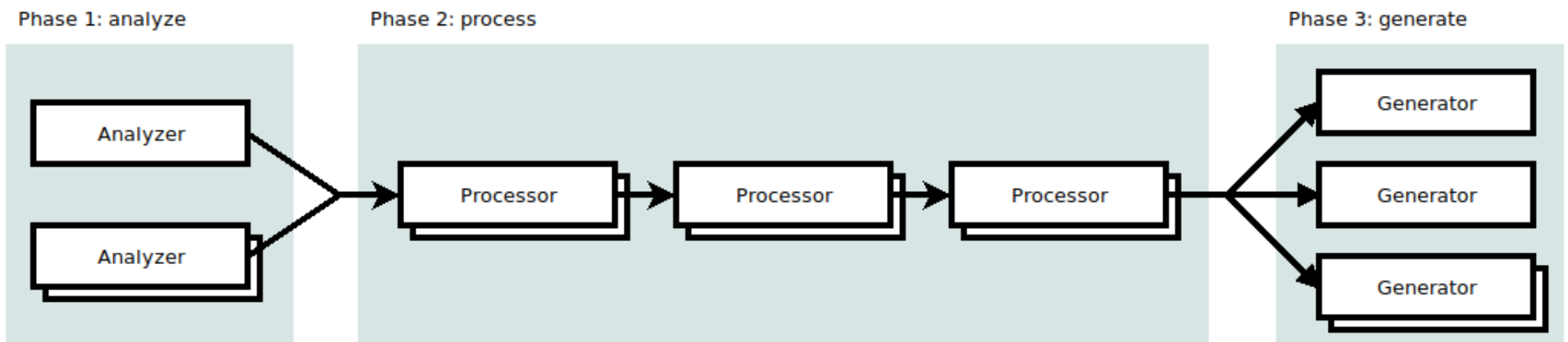
```
public interface Analyzer {  
    WorkflowStepResult yield();  
}
```

```
public interface Processor {  
    WorkflowStepResult process(ProcessingState previousState);  
}
```

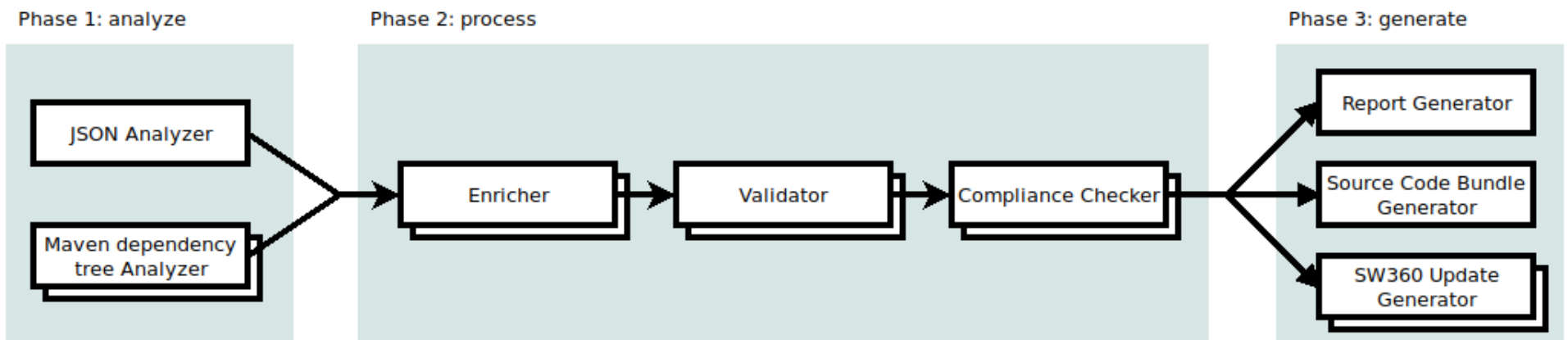
```
public interface Generator {  
    void produce(ProcessingState previousState);  
}
```


SW360 antenna has a workflow
engine

SW360antenna has a workflow engine



SW360antenna has a workflow engine



```
<workflow>
  <analyzers>
    <step>
      <name>JSON Analyzer</name>
      <classHint>org.eclipse.sw360.antenna.workflow.analyzers.JsonAnal
      <configuration>
        <entry key="file.path" value="src/reportData.json"/>
      </configuration>
    </step>
  </analyzers>
  <processors>
    <step>
      <name>Maven Artifact Resolver</name>
      <classHint>org.eclipse.sw360.antenna.workflow.processors.enriche
    </step>
    <step>
      <name>Child Jar Resolver</name>
      <classHint>org.eclipse.sw360.antenna.workflow.processors.enriche
    </step>
    <step>
      <name>Manifest Resolver</name>
      <classHint>org.eclipse.sw360.antenna.workflow.processors.enriche
    </step>
    <step>
      <name>License Resolver</name>
      <classHint>org.eclipse.sw360.antenna.workflow.processors.enriche
    </step>
    <step>
      <name>License Knowledgebase Resolver</name>
      <classHint>org.eclipse.sw360.antenna.workflow.processors.enriche
    </step>
  </processors>
</workflow>
```

Live demo?

Where to get it?

- <https://github.com/eclipse/antenna>
- <https://projects.eclipse.org/projects/technology.sw360.antenna>

How to contact me?

- maximilian.huber@tngtech.com